

KELLEY CONSTRUCTION
CONTRACTORS INC.

CATHOLIC DIOCESE
600 MONROE
HOUSE ADDITION

NUMBER	DATE	REVISED BY	DESCRIPTION

Kelley Construction
Contractors Inc.

DRAWINGS PROVIDED BY:

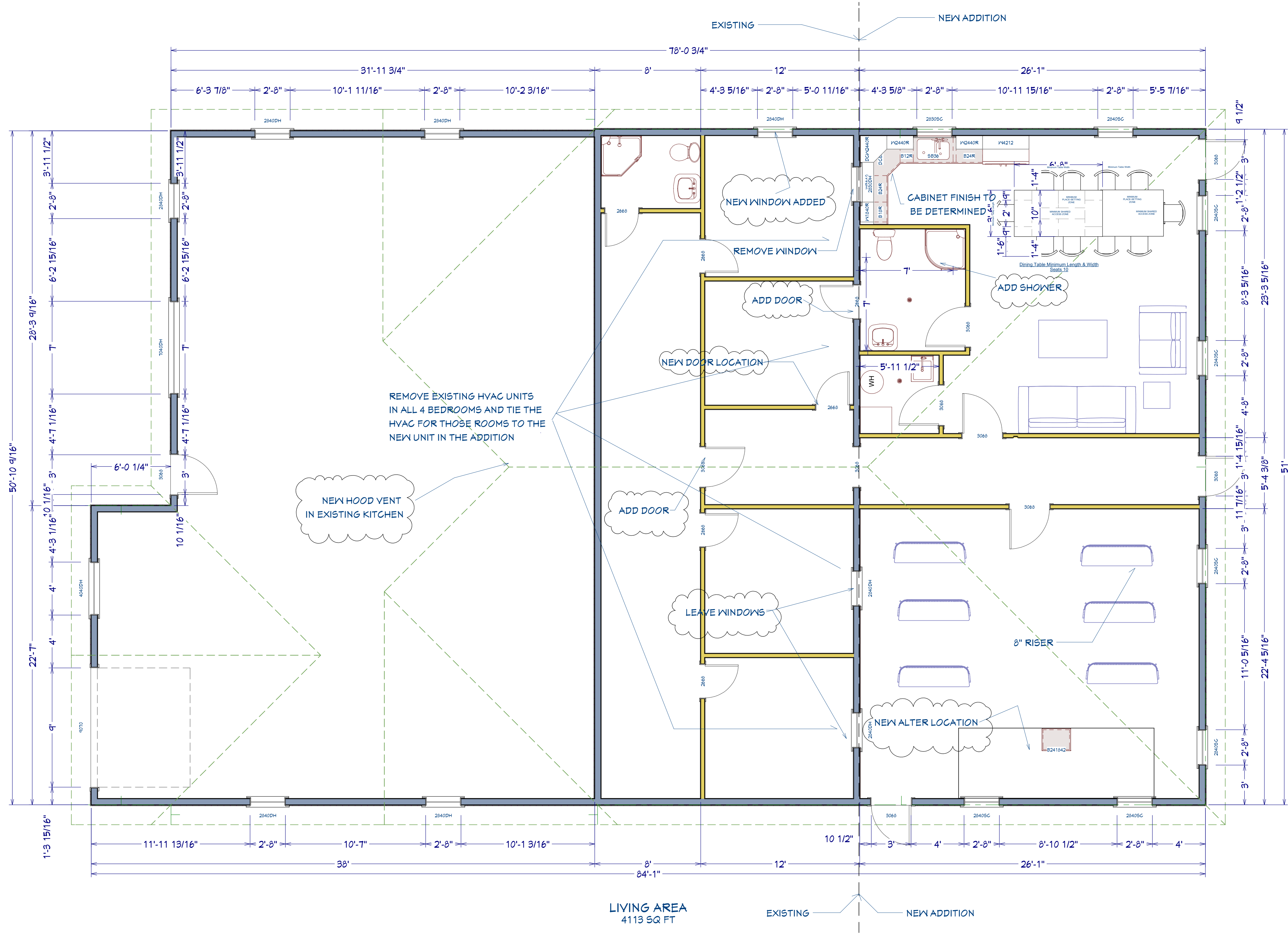
DATE:

6/5/2017

SCALE:

SHEET:

P-1



LIVING AREA
4113 SQ FT

1st Floor

REVISION TABLE			
NUMBER DATE REVISION BY DESCRIPTION			

DRAWINGS PROVIDED BY:

DATE:
6/5/2017

SCALE:

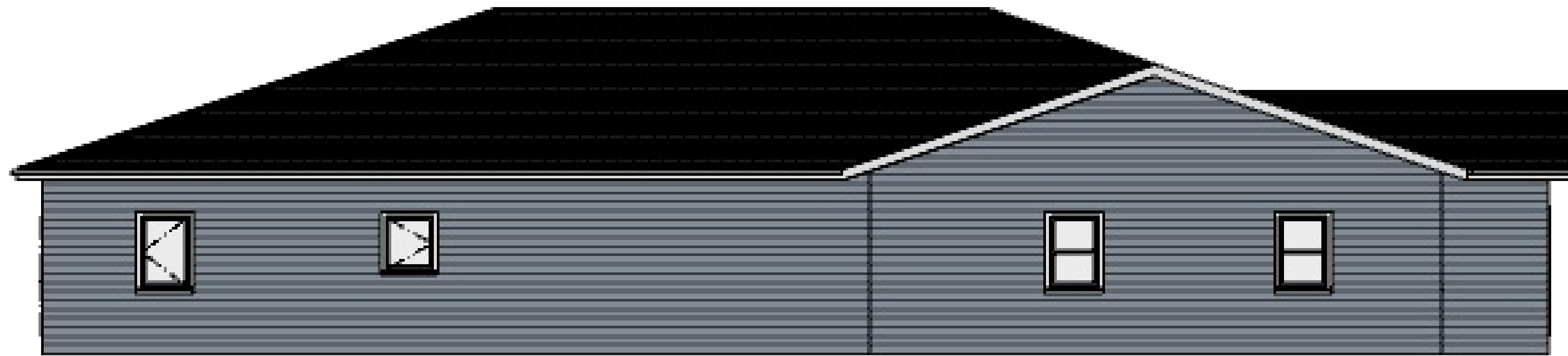
SHEET:
3



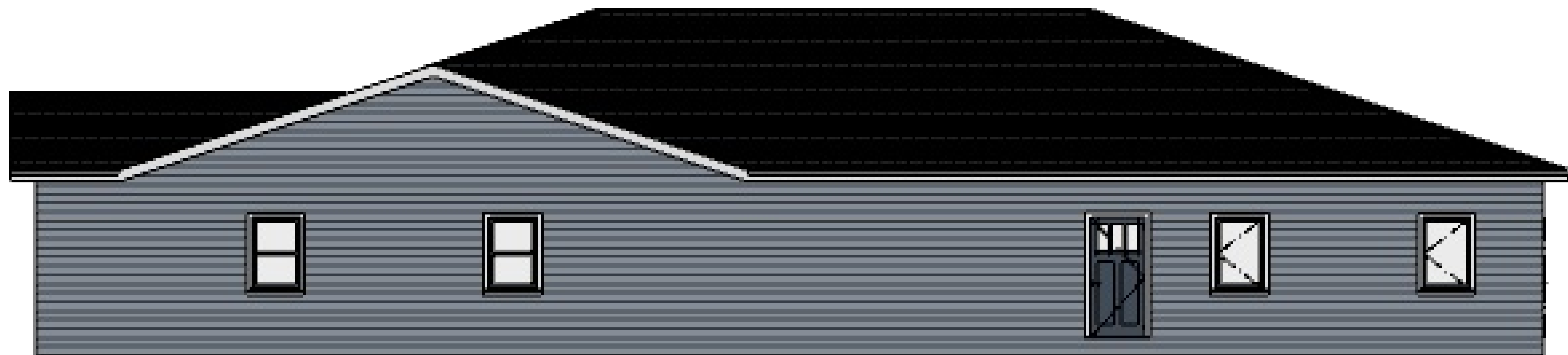
FRONT ELEVATION



REAR ELEVATION



LEFT ELEVATION



RIGHT ELEVATION

NUMBER	DATE	REVISED BY	DESCRIPTION

DRAWINGS PROVIDED BY:

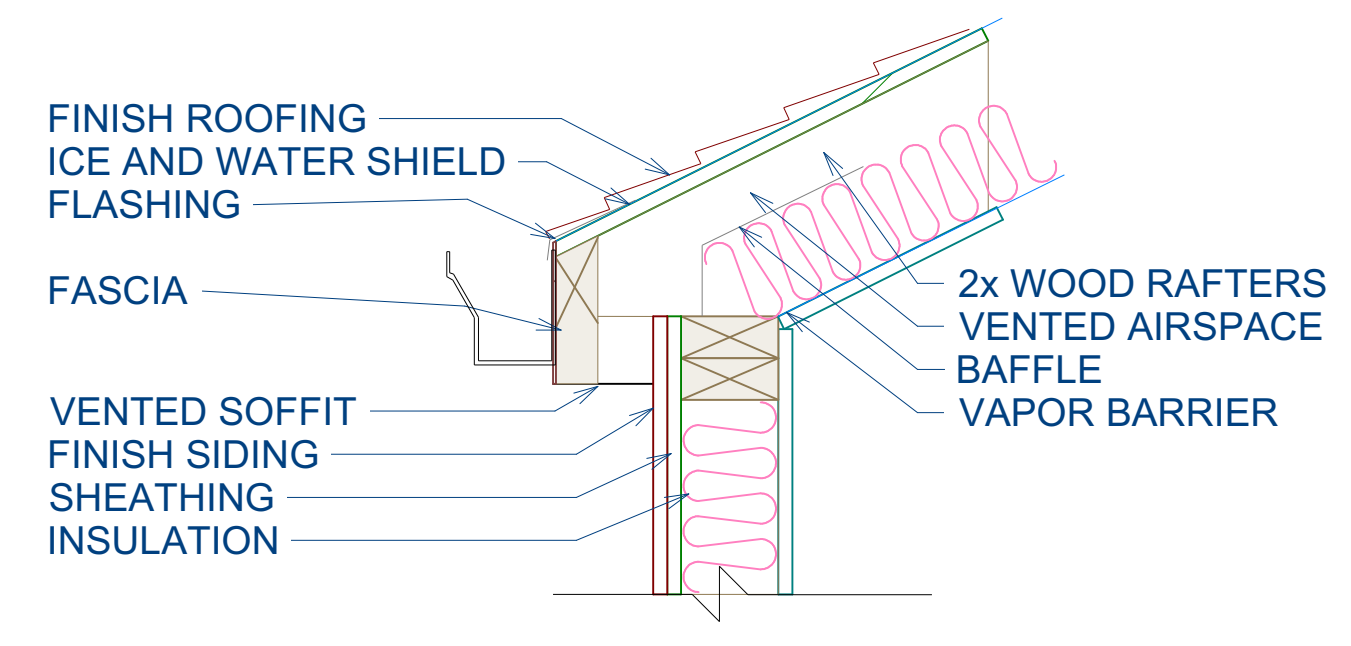
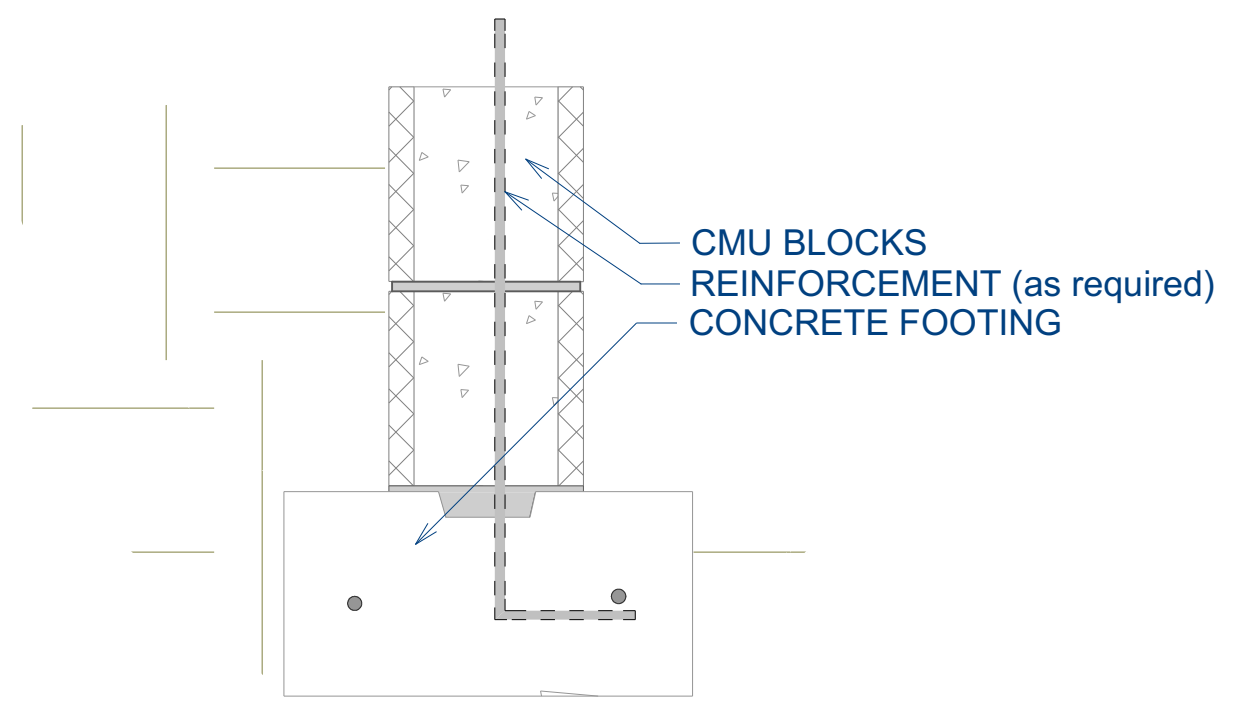
DATE:

6/5/2017

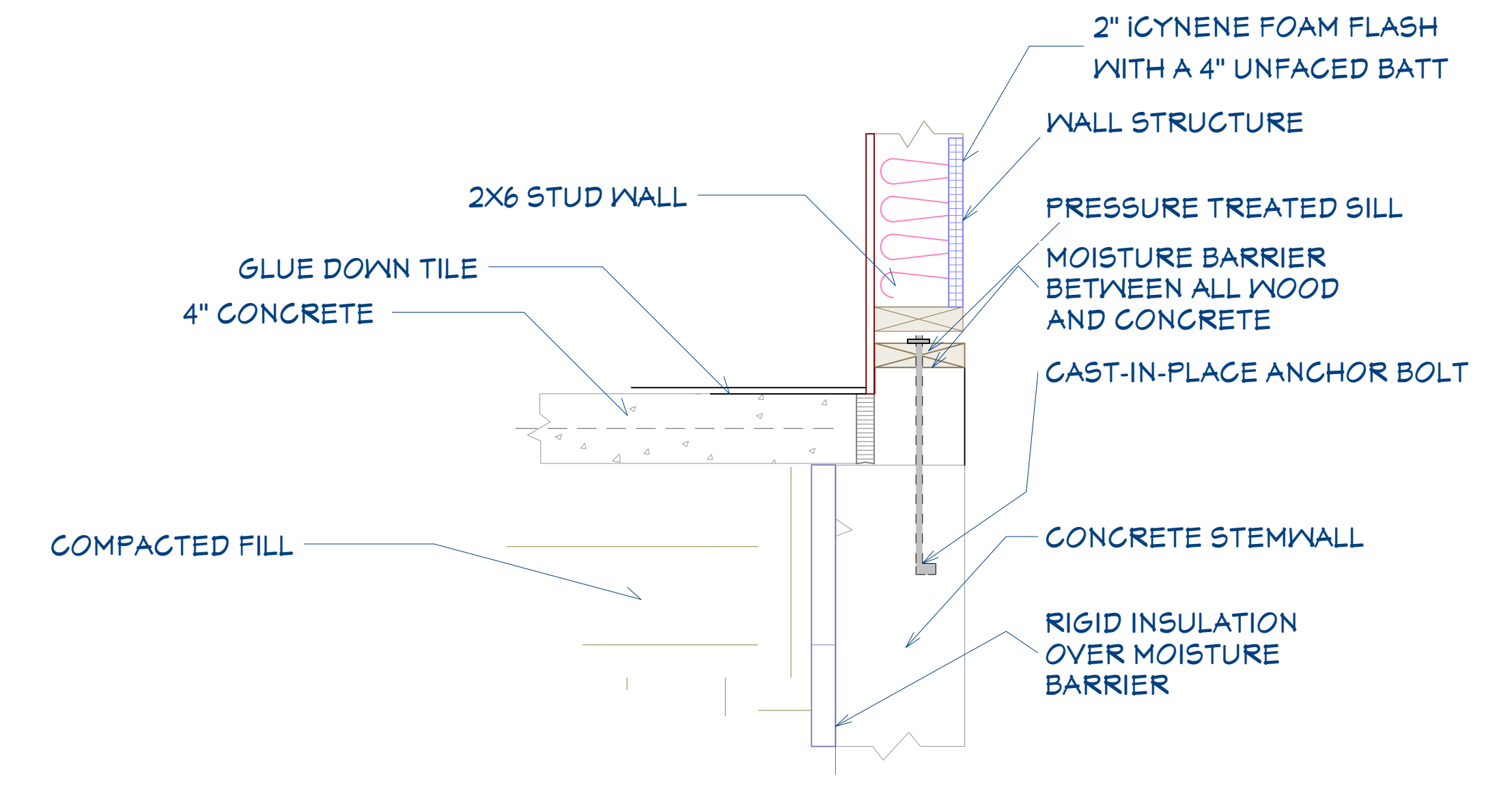
SCALE:

SHEET:

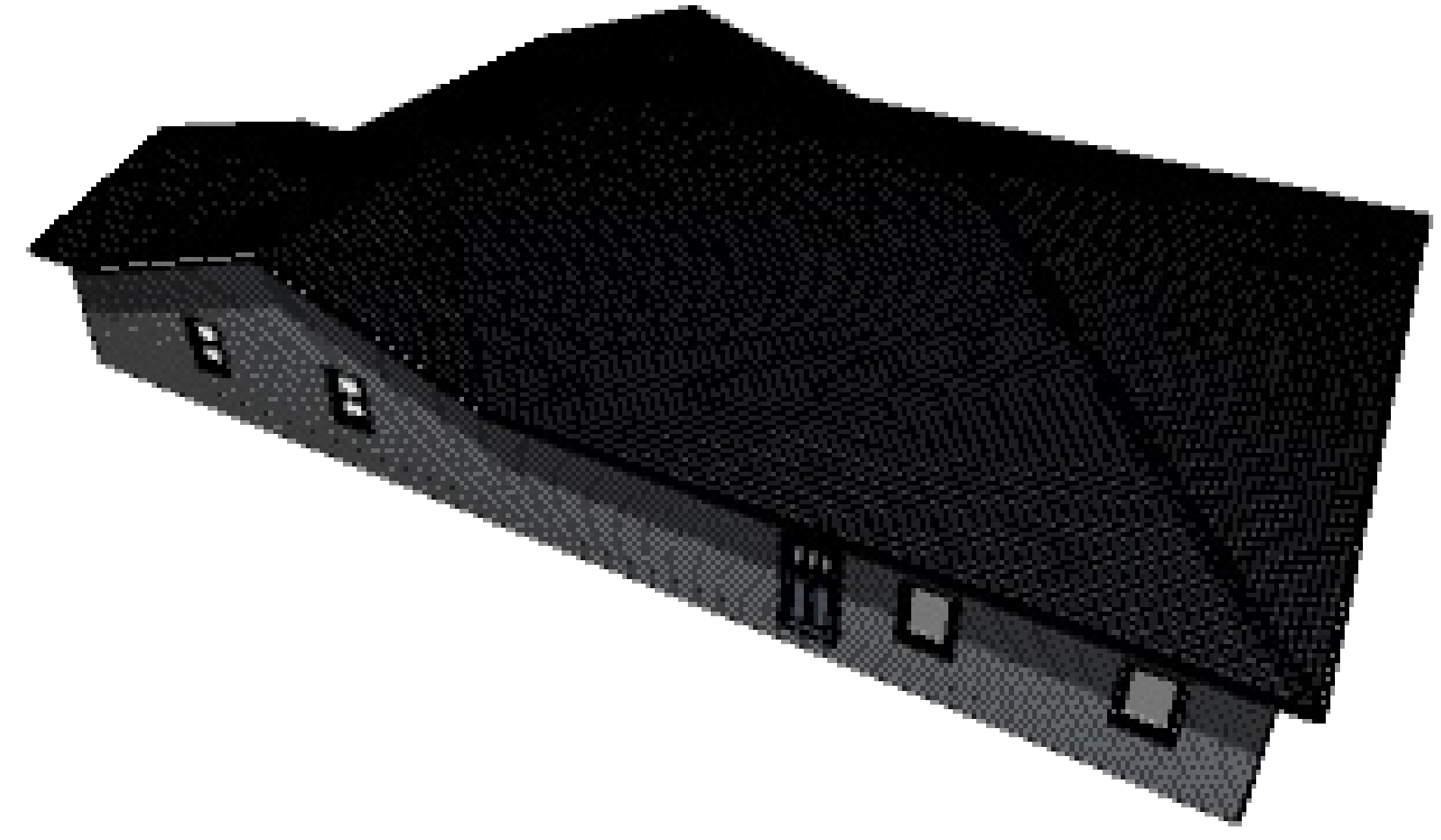
4



Abbreviated Eave
(print at 1"=1')



Floor at Foundation
(print at 1"=1')



To the best of our knowledge these plans are drawn to comply with owner's and/ or builder's specifications and any changes made on them after prints are made will be done at the owner's and / or builder's expense and responsibility. The contractor shall verify all dimensions and enclosed drawing. Kelley Construction Contractors Inc. is not liable for errors once construction has begun. While every effort has been made in the preparation of this plan to avoid mistakes, the maker can not guarantee against human error. The contractor of the job must check all dimensions and other details prior to construction and be solely responsible thereafter.

THESE DRAWINGS ARE THE PROPRIETARY WORK PRODUCT AND PROPERTY OF KELLEY CONSTRUCTION CONTRACTORS INC. , DEVELOPED FOR THE EXCLUSIVE USE OF KELLEY CONSTRUCTION CONTRACTORS INC..USE OF THESE DRAWINGS AND CONCEPTS CONTAINED THEREIN WITHOUT THE WRITTEN PERMISSION OF KELLEY CONSTRUCTION CONTRACTORS INC. IS PROHIBITED AND MAY SUBJECT YOU TO A CLAIM FOR DAMAGES.

--

REVISION TABLE	REVISION BY	DESCRIPTION

--

--

--

DATE:

6/5/2017

SCALE:

SHEET:

5

DRAWINGS PROVIDED BY: