

AXIS Q6000-E Network Camera

Full 360° overview with one-click PTZ control



- > Full 360° overview
- > 4 x HDTV 720p cameras
- > One-click PTZ control
- > Quick and easy installation
- > Compatible with any AXIS Q60-E model

AXIS Q6000-E integrated with an AXIS Q60-E is a new pioneering camera solution, offering full overview to detail in one click. This enables users to get full 360° overview, while simultaneously capturing every detail in full resolution with high pan/tilt/zoom precision. It is an ideal solution for city surveillance in market squares, parking lots and large open areas such as food courts in shopping malls.

AXIS Q6000-E features four 2-megapixel sensors, providing a complete 360° field of view over large areas. Integrated with an AXIS Q60-E camera, it is an ideal solution for capturing details of interest without missing the big picture.

This flexible and smart, situational awareness camera is easily integrated with any AXIS Q60-E camera model. No mounting brackets are required as AXIS Q6000-E uses the same brackets, network cables and power as the connected AXIS Q60-E.

With the use of two screens, this solution provides full overview video from AXIS Q6000-E and zoomed-in view from AXIS Q60-E, using the one-click PTZ control feature.

AXIS Q6000-E offers powerful event management capabilities with intelligent video features such as tampering alarm, motion detection and support for third-party applications.

Mounting brackets and AXIS Q60-E are sold separately





Left images: AXIS Q6000-E showing the four cameras in a split screen. Right image: AXIS Q60-E zoomed in on a specific object of interest.

Getting all the details without missing the big picture



AXIS Q6000-E features four easily movable camera heads to adjust area of coverage

A single click on any object in AXIS Q6000-E view will trigger the AXIS Q60-E camera to zoom in on specific objects, providing a perfect high resolution image. AXIS Q6000-E enables easy, seamless transition between monitoring a wide area and specific objects with the optical zoom.

AXIS Q6000-E integrated with an AXIS Q60-E provides an ideal solution where there is a need to optically zoom in on details of interest with high precision while simultaneously being able to maintain an overview of large areas. AXIS Q6000-E, comprising four 2-megapixel sensors, provides a 360° field of view that covers up to 20,000 m² (215,000 sq ft) - about the size of four football fields.

Using two screens, one with an overview from AXIS Q6000-E and one with a zoomed-in view from AXIS Q60-E, operators are provided both with a high level of detail in full resolution and exceptional coverage of the entire area. This set-up makes it a great solution for full situational awareness.

Easy enhancement of existing AXIS Q60-E installations



AXIS Q60-E PTZ Dome Network Camera mounted inside the AXIS Q6000-E

AXIS Q6000-E is compatible with any AXIS Q60-E, allowing existing installation with AXIS Q60-E to be upgraded. This offers operators a unique advantage to easily enhance their existing AXIS Q60-E installation, by adding on the possibility to maintain an overview of the entire monitored area, while capturing every detail. AXIS Q60-E PTZ domes are designed for round-the-clock pan/tilt/zoom operation in vast, outdoor environments.

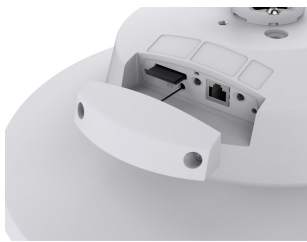




1) AXIS Q6000-E; 2) AXIS Q60-E; 3) AXIS Q6000-E with AXIS Q60-E

Unique and extremely easy installation

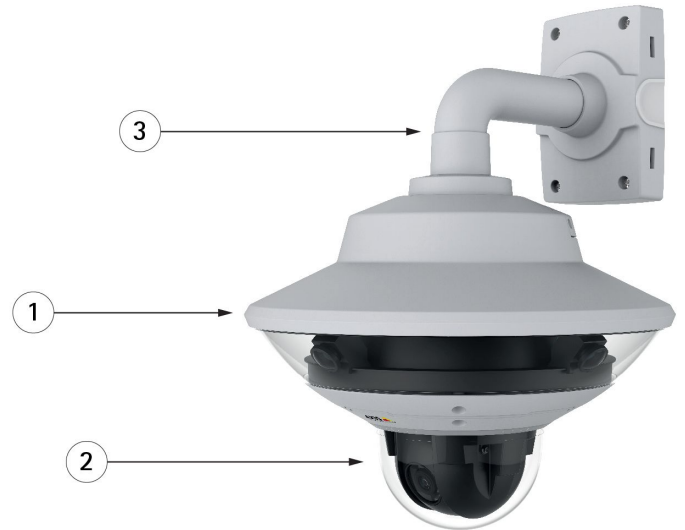
Any AXIS Q60-E camera is quickly and easily mounted inside the AXIS Q6000-E. There is no need for any mounting brackets or extra equipment as AXIS Q6000-E uses the same brackets and network cable as AXIS Q60-E, minimizing time and cost of installation. Furthermore, Power over Ethernet is supplied to both cameras through AXIS Q6000-E to ensure an easy installation.



AXIS Q6000-E features a separate network service port to allow direct connection for maintenance and configuration of the cameras, ensuring easy installation and reliable operation.

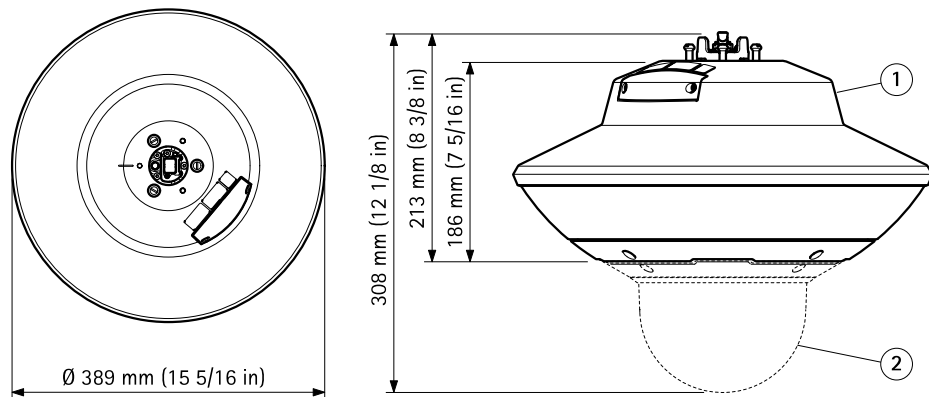
After the software set-up, the user can click on any object in the AXIS Q6000-E interface and the AXIS Q60-E will zoom in on that specific spot of interest. Using the one-click PTZ control, it allows AXIS Q60-E to provide superb zoomed-in views, for instance, making it possible to read a license plate at a distance of up to 300 m (984 ft).

The user interface with flexible live-view layout, and responsive PTZ control makes it possible to effectively manage both AXIS Q6000-E and AXIS Q60-E in a surveillance system.



1) AXIS Q6000-E
2) New or existing AXIS Q60-E camera
3) New or existing standard bracket

Dimensions



Technical Specifications - AXIS Q6000-E Network Camera

Models	AXIS Q6000-E 50Hz, AXIS Q6000-E 60Hz	Event actions	File upload: FTP, HTTP, HTTPS, Network share and email Notification: email, HTTP, HTTPS and TCP Video recording to edge storage Pre- and post-alarm video buffering Overlay text
Camera		Data streaming	Event data
Supported cameras	AXIS Q60-E cameras	Built-in installation aids	Pixel counter
Image sensor	4 x 1/2.8" 2MP Progressive scan RGB CMOS	General	
Lens	Fixed focus, Fixed iris, F2.0, Focal length: 1.37 mm, 152° view ^a	Casing	Die-casted aluminum, Polycarbonate dome
Light sensitivity	Color: 0.3 lux, F2.0	Memory	1 GB RAM, 256 MB Flash
Shutter time	1/45500 s to 4 s	Power	High PoE IEEE 802.3at Type 2 Class 4, max. 60 W
Video		Connectors	RJ45 10BASE-T/100BASE-TX/1000BASE-T PoE RJ45 10BASE-T/100BASE-TX Q60 port RJ45 10BASE-T/100BASE-TX Service port
Video compression	H.264 (MPEG-4 Part 10/AVC) Baseline, Main and High profiles Motion JPEG	Edge storage	SD/SDHC/SDXC slot supporting memory card up to 64 GB (card not included) Support for recording to dedicated network-attached storage (NAS)
Resolutions	4 x 1280x720 (HDTV 720p) to 320x180, default 960x720 Quad view 1920x1440 (4:3) to 320x180	Operating conditions	-30°C to 50°C (-22°F to 122°F) Humidity 10–100% RH (non-condensing) <i>Valid for AXIS Q6000-E/Q60-E</i>
Frame rate	Up to 25/30 fps (50/60 Hz) in all resolutions	Approvals	EMC EN 55022 Class A, EN 55024, EN 61000-6-1, EN 61000-6-2, EN 61000-3-2, EN 61000-3-3, EN 50121-4, FCC Part 15 Subpart B Class A, ICES-003 Class A, VCCI Class A, ITE, C-Tick AS/NZS CISPR 22 Class A, KCC KN22 Class A, KN24 Safety IEC/EN/UL 60950-1, IEC/EN/UL 60950-22 Environment EN 50581, IEC/EN 60529 IP66, IEC/EN 62262 IK10, NEMA 250 Type 4X, IEC 60068-2-1, IEC 60068-2-2, IEC 60068-2-6, IEC 60068-2-14, IEC 60068-2-27, IEC 60721-4-3 Class 4K3, 4M3
Video streaming	Multiple, individually configurable video streams in H.264 (Main, Base and High profile) and Motion JPEG Controllable frame rate and bandwidth MBR H.264	Weight	3.55 kg (7.8 lb)
Image settings	Resolution, Compression, Color level, Brightness, Sharpness, Contrast, White balance, Exposure value, Exposure control, Automatic backlight compensation, Exposure zones, Shutter & gain fine tuning of behavior at normal and low light, Privacy masks	Included accessories	Ethernet adaptor, Bayonet screws, Installation Guide, Installation and Management Software CD, Windows decoder 1-user license
Network		Optional accessories	AXIS T91A and AXIS T91B mounting accessories, AXIS T8124-E High PoE midspan, AXIS T8125 High PoE midspan
Security	Password protection, IP address filtering, HTTPS ^b encryption, IEEE 802.1X ^b network access control, Digest authentication, User access log, Centralized certificate management	Warranty	Axis 3-year warranty and AXIS Extended Warranty option, see www.axis.com/warranty
Supported protocols	IPv4/v6, HTTP, HTTPS ^b , SSL/TLS ^b , QoS Layer 3 DiffServ, FTP, CIFS/SMB, SMTP, Bonjour, UPnP TM , SNMP v1/v2c/v3(MIB-II), DNS, DynDNS, NTP, RTSP, RTP, TCP, UDP, IGMP, RTCP, ICMP, DHCP, ARP, SOCKS, SSH	Footnote	
System integration		a. <i>Horizontal angle of view</i> b. <i>This product includes software developed by the OpenSSL Project for use in the OpenSSL Toolkit. (www.openssl.org), and cryptographic software written by Eric Young (eay@cryptsoft.com).</i>	
Application Programming Interface	Open API for software integration, including VAPIX [®] and AXIS Camera Application Platform; specifications at www.axis.com AXIS Video Hosting System (AVHS) with One-Click Camera Connection. ONVIF Profile S, specification at www.onvif.org	More information is available at www.axis.com	
Intelligent video	Video motion detection, Active tampering alarm, Edge storage events, Shock detection, AXIS Camera Application Platform enabling installation of additional applications		
Event triggers	Detectors (Live Stream Accessed, Shock detection, Tampering) Hardware (Fan, Network, Temperature) Input signal (Manual Trigger, Virtual Input) Storage (Disruption, Recording) System (System Ready) Time		