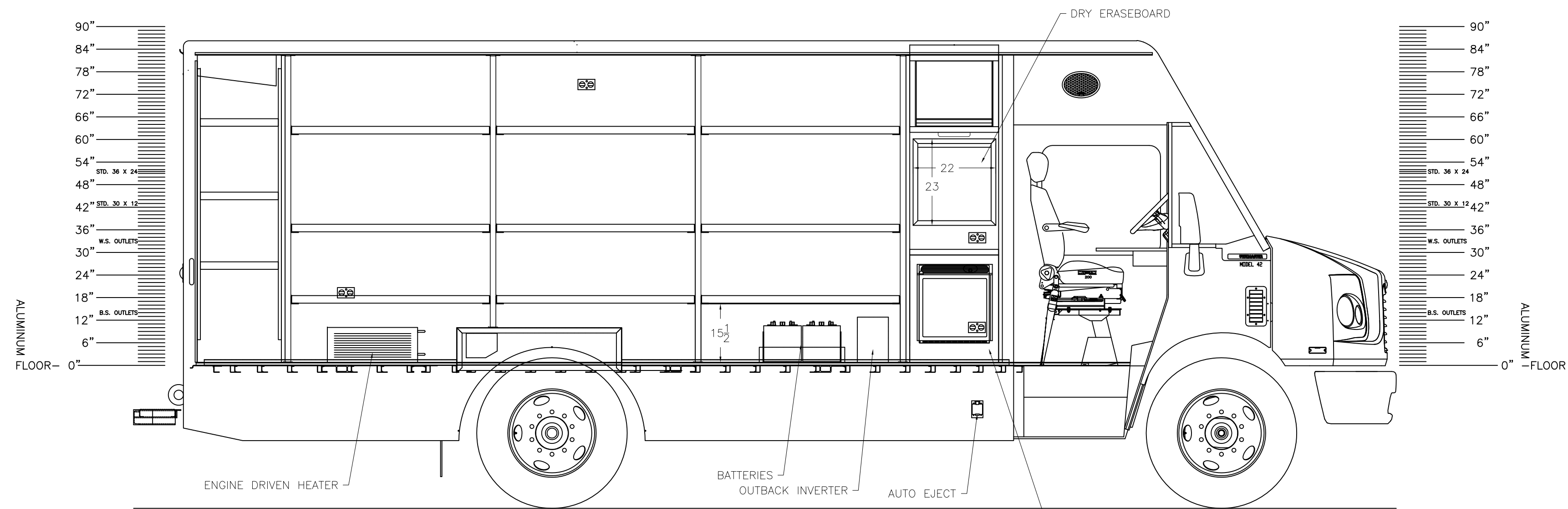
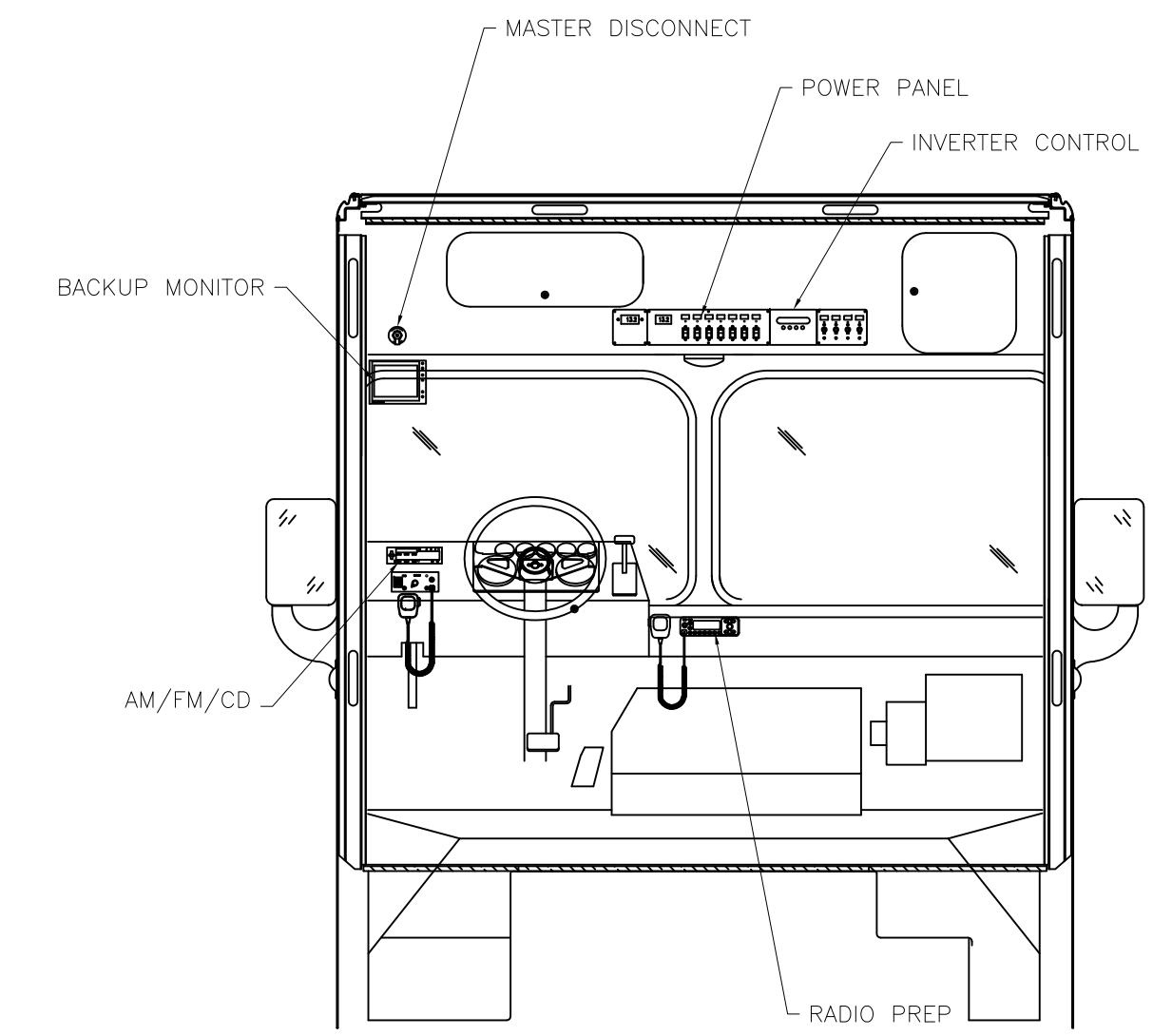


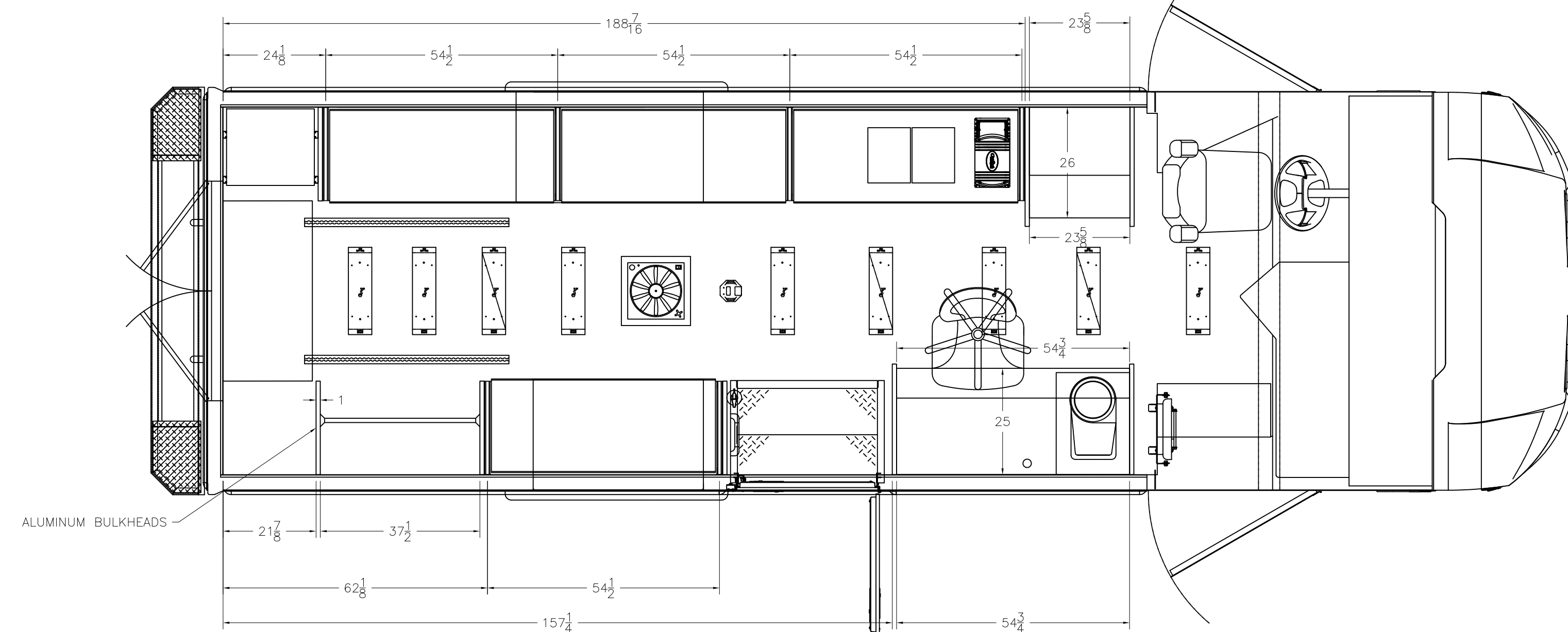
REAR



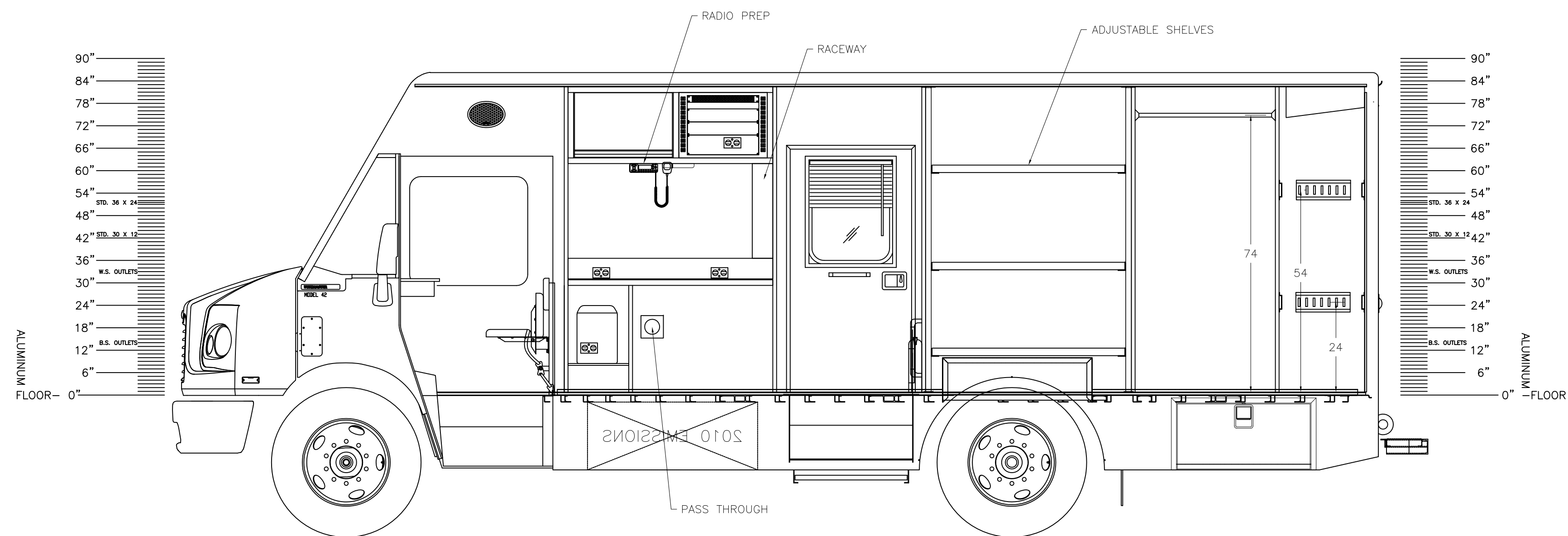
STREET SIDE



FRONT



PLAN



CURB SIDE

	ALARM SYSTEM CONTROL		120 VAC		RADIO ANTENNA
	WATER/WASTE TANK LEVEL MONITOR		120 VAC G.F.I.		MULTIPLE ANTENNA LEADS
	FLUORESCENT LIGHT (WHITE)		12 VDC		TV ANTENNA
	FLUORESCENT LIGHT (RED OR BLUE)		SPEAKER VOLUME		MIC/HEADSET PLUG-IN
	FLUORESCENT LIGHT (RED OR BLUE)/WHITE		RJ-45 NETWORK JACK		INVERTER
	CO/SMOKE DETECTOR		RJ-11 TELEPHONE JACK		SWITCH
	SPEAKER		DB9 JACK		THERMOSTAT
	CLOCK		SPARE PLATE		MICROPHONE
			CELL PHONE ANTENNA		SURVEILLANCE CAMERA

SOME ITEMS SHOWN MAY BE CUSTOMER SUPPLIED OR OPTIONAL. REFER TO SPECIFICATIONS FOR DETAILS.

THIS DRAWING AND THE INFORMATION THEREON IS THE EXCLUSIVE PROPERTY OF LDV, INC. AND IS TO BE USED SOLELY FOR DEVELOPMENT AND MANUFACTURE OF THE PRODUCT SHOWN. ALL RIGHTS RESERVED IN U.S. COPYRIGHT LAW.

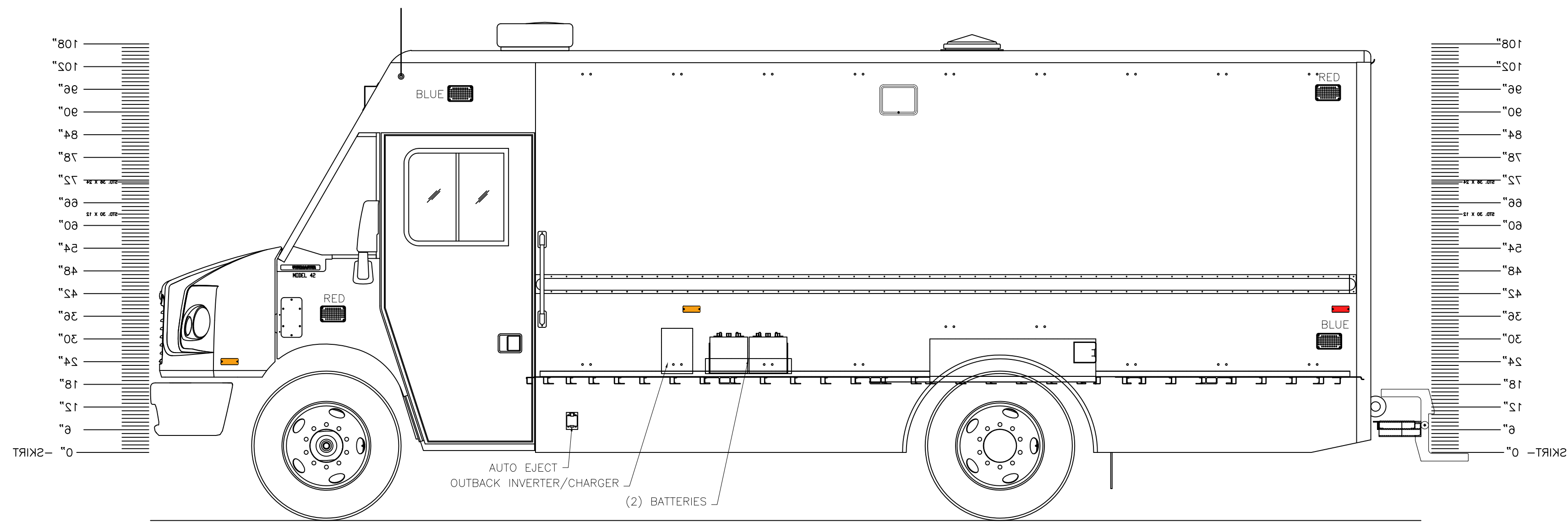
REVISIONS			
NO.	DESCRIPTION	DATE	BY
1	AS-BUILT	9/30/13	CMC
2			
3			
4			
5			
6			
7			

LDV

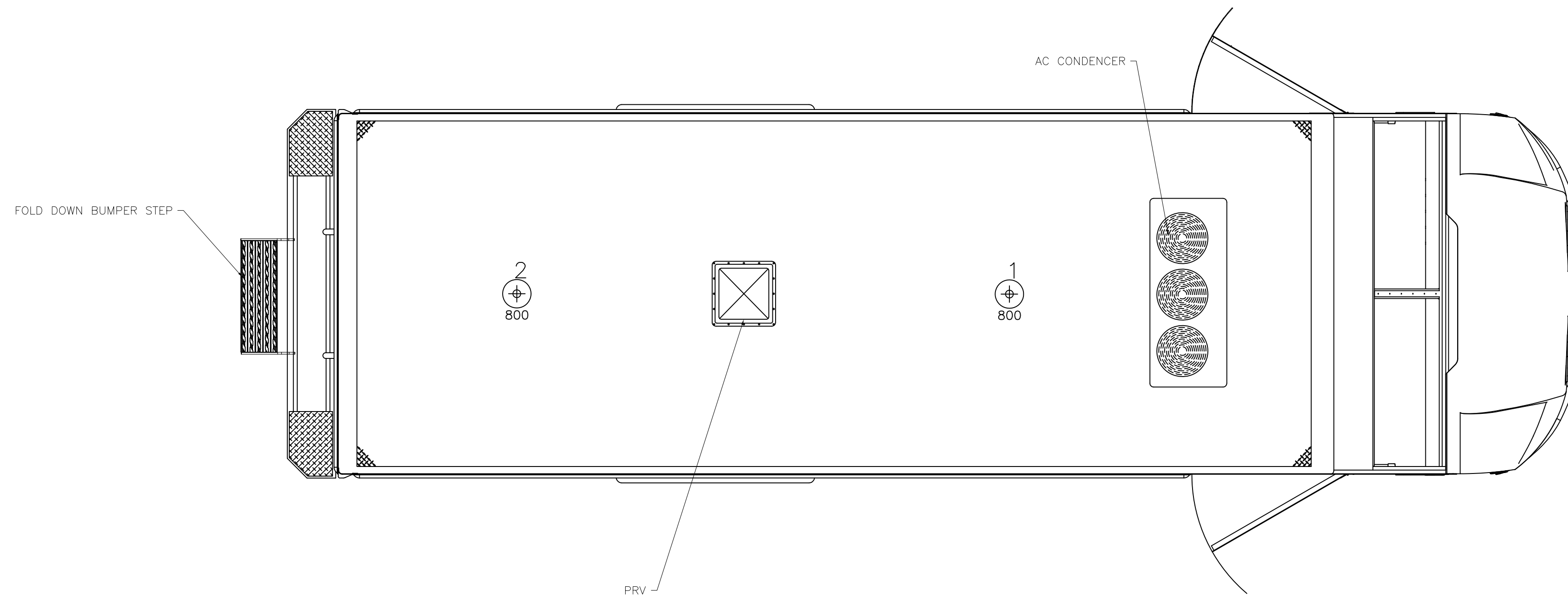
SS28RR-10SV
AP8067

SCALE 1/2" = 1'-0"

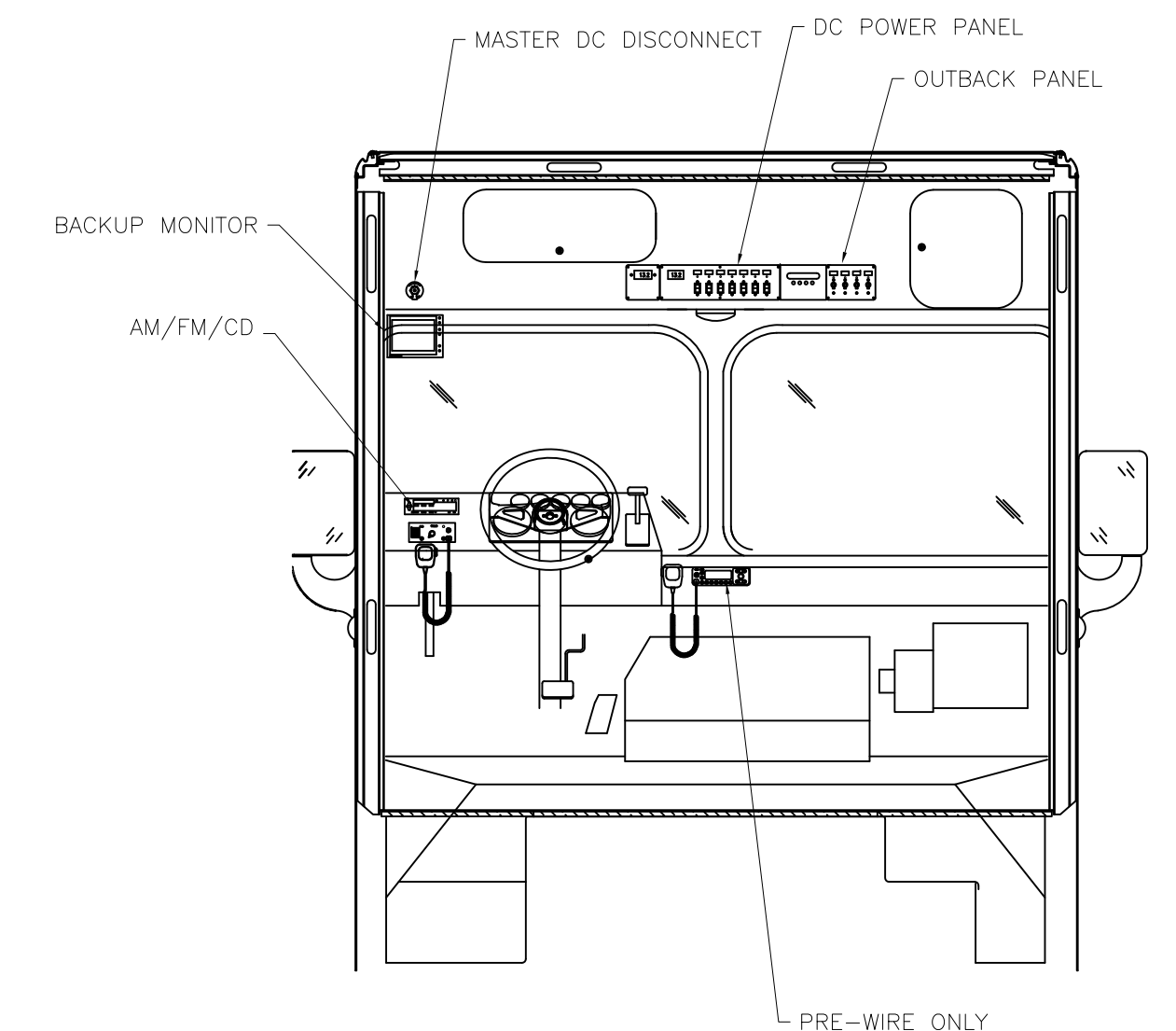
DRAWN BY: J. LAGO
PROJECT MGR: D. SCHWABE
DATE: 02.19.13
DATE: [blank]
APP'D: [blank]
DRAWING PRODUCTION: [blank]



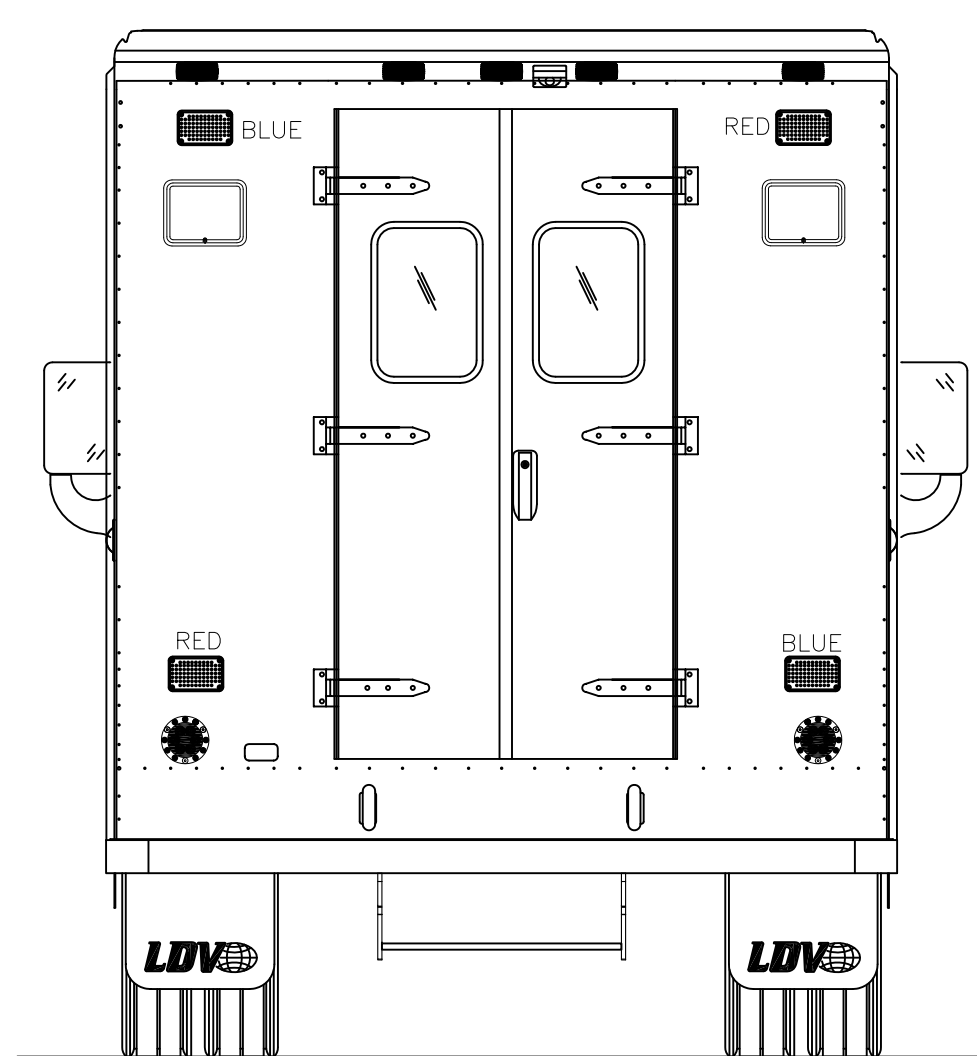
STREET SIDE



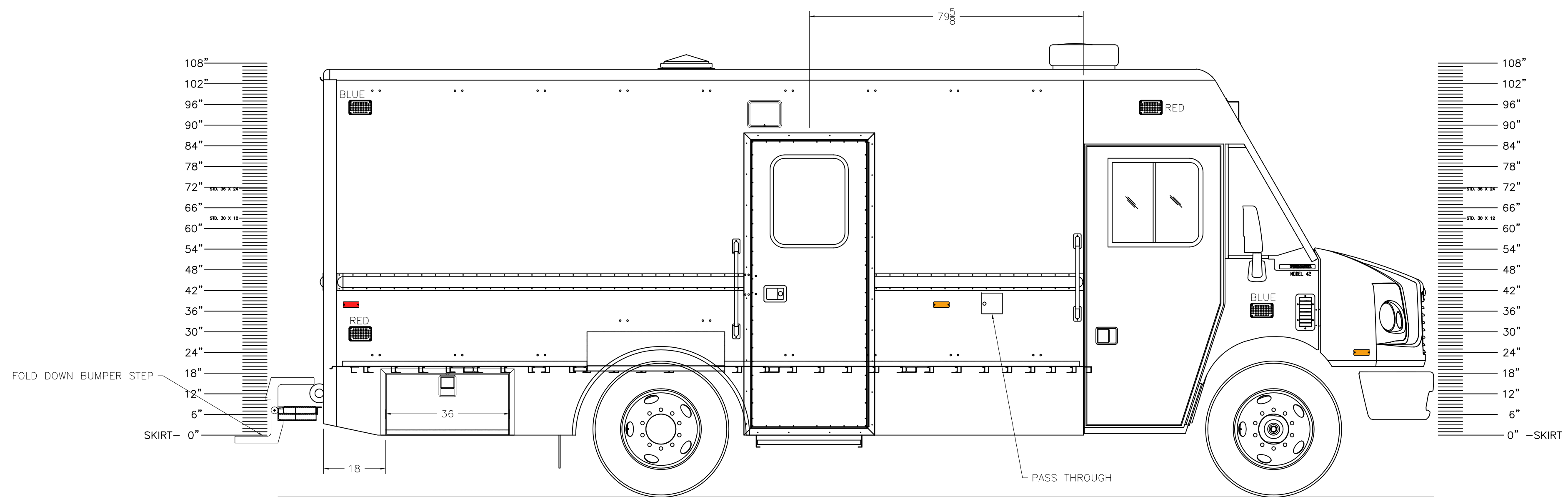
PLAN



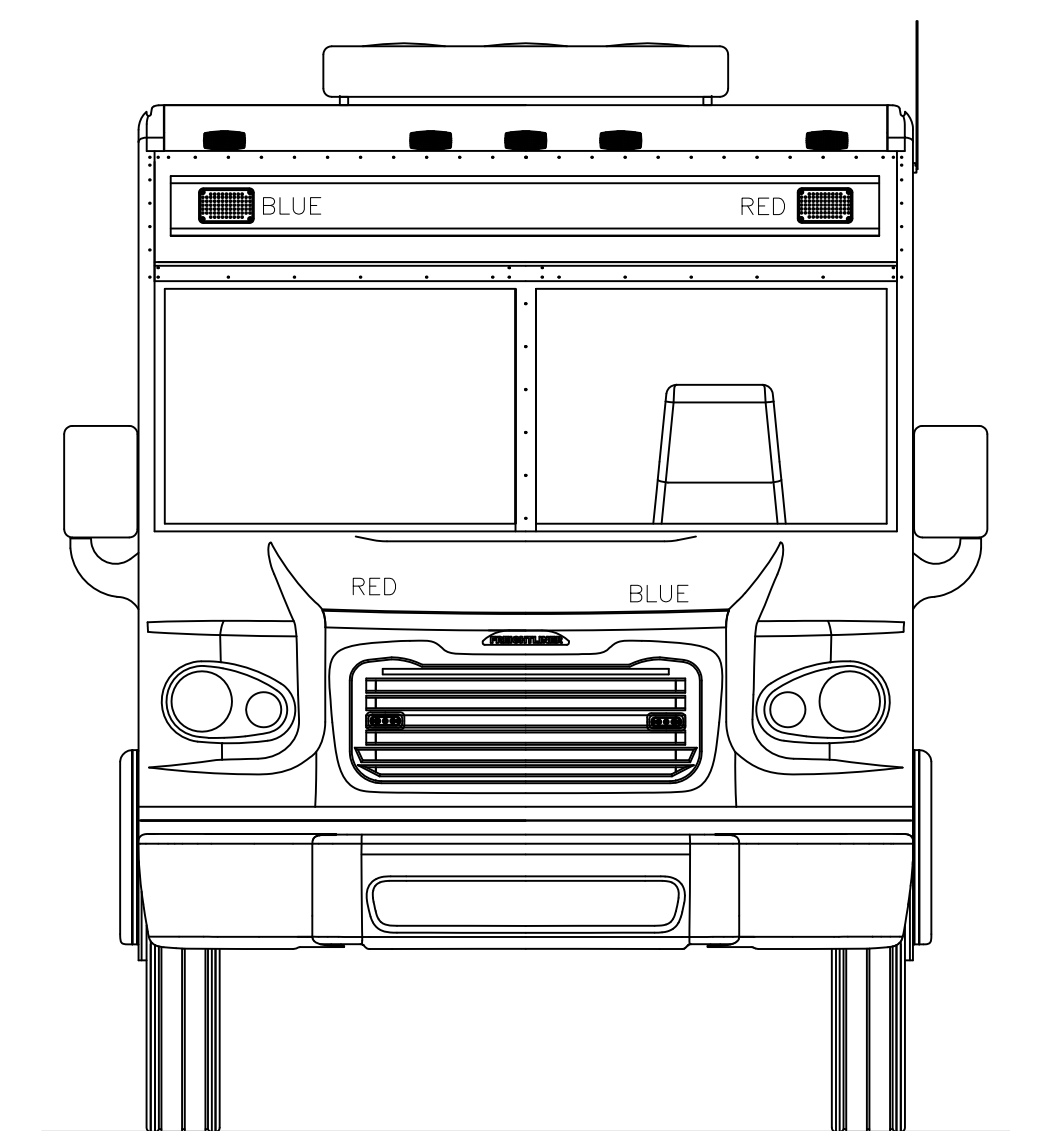
FRONT INTERIOR



REAR



CURB SIDE



FRONT

	ALARM SYSTEM CONTROL		120 VAC		RADIO ANTENNA
	WATER/WASTE TANK LEVEL MONITOR		120 VAC G.F.I.		MULTIPLE ANTENNA LEADS
	FLUORESCENT LIGHT (WHITE)		12 VDC		TV ANTENNA
	FLUORESCENT LIGHT (RED OR BLUE)		SPEAKER VOLUME		MIC/HEADSET PLUG-IN
	FLUORESCENT LIGHT (RED OR BLUE)/WHITE		RJ-45 NETWORK JACK		INVERTER
	CO/SMOKE DETECTOR		RJ-11 TELEPHONE JACK		SWITCH
	SPEAKER		DB9 JACK		THERMOSTAT
	CLOCK		SPARE PLATE		MICROPHONE
			CELL PHONE ANTENNA		SURVEILLANCE CAMERA

SOME ITEMS SHOWN MAY BE CUSTOMER SUPPLIED OR OPTIONAL. REFER TO SPECIFICATIONS FOR DETAILS.

THIS DRAWING AND THE INFORMATION THEREON IS THE EXCLUSIVE PROPERTY OF LDV, INC. AND IS TO BE USED SOLELY FOR DEVELOPMENT AND MANUFACTURE OF THE PRODUCT SHOWN. ALL RIGHTS RESERVED IN U.S. COPYRIGHT LAW.

REVISIONS			
NO.	DESCRIPTION	DATE	BY
1	AS-BUILT	9/30/13	CMC
2			
3			
4			
5			
6			
7			



SS28RR-10SV
AP8067

DRAWN BY J. LAGO	DATE 02.19.13	SCALE 1/2" = 1'-0"
PROJECT MGR. D. SCHWABE	DATE	APP'D
DRAWING FAB/GEN/PREP		